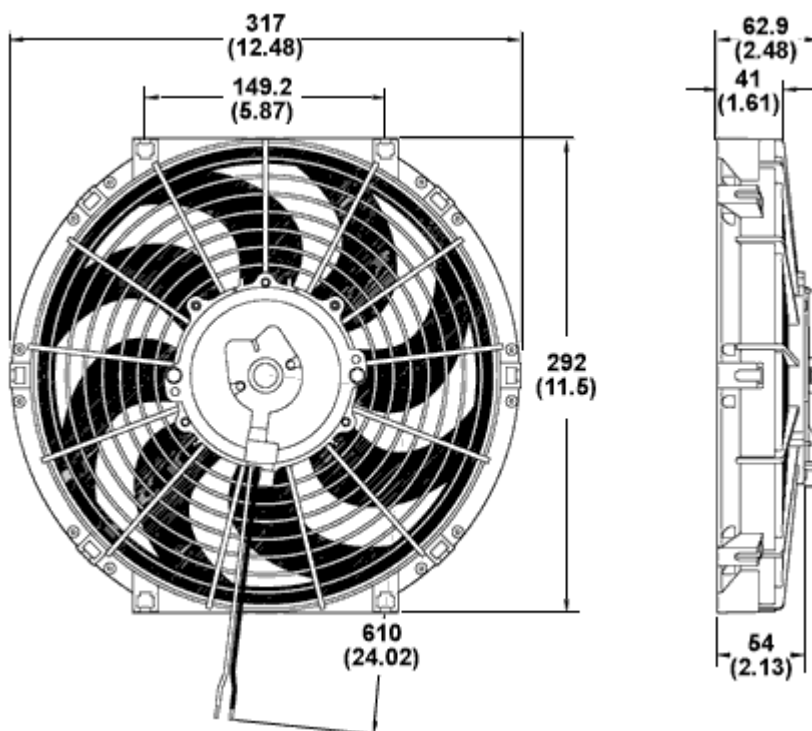


Fans | Auto/Truck - Condenser Cooling Fans



12VDC MODEL	DESCRIPTION
14-4011B1	11 in / 282 mm Pusher fan, 90W (input)
14-4011S1	11 in / 282 mm Puller fan, 90W (input)



Wt. Per Fan 1.1kg / 2.4 lbs

Illustrations are for general use and NOT for detailed application information

PERFORMANCE DATA @ 13.5VDC 14-4011B1 PUSHER FAN					AIRFLOW DIRECTION	PERFORMANCE DATA @ 13.5VDC 14-4011S1 PULLER FAN					
Static Pressure		Airflow		Current			Static Pressure		Airflow		Current
H2O (in)	H2O (mm)	CFM	m3/h	Amps			H2O (in)	H2O (mm)	CFM	m3/h	Amps
0.0	0.0	880	1500	8.8	0.0		0.0	875	1485	8.5	
0.1	2.5	800	1360	8.8	0.1		2.5	770	1310	8.7	
0.2	5.0	690	1175	8.8	0.2		5.0	680	1155	8.7	
0.3	7.5	560	950	8.7	0.3		7.5	550	935	8.5	
0.4	10.0	360	610	8.4	0.4		10.0	400	680	8.7	
0.5	12.5	180	310	8.5	0.5		12.5	250	425	8.6	
0.6	15.0	70	120	8.7	0.6	15.0	140	240	8.8		

ADDITIONAL COMPONENTS

■ 14-5001 Mounting foot	■ 14-5003 Mounting foot
■ 14-5018 Top mounting foot	■ 14-5005X8 Nylon tie mount kit

■ 46-863S Thermostat, adjustable solid-state	■ 46-1039A Sensor-stat, bimetallic
■ 14-9110A Pin mount kit	■ Various motor connectors upon request
FEATURES	
■ Mineral Glass Nylon 6/6 Resin	■ High Efficiency & Low Noise Design
■ Patented Skewed Blade Fan	■ Mounting flexibility
■ High Temperature Resistant	■ Reliable / Durable Motor

[Technology](#) | [Products](#) | [About Us](#) | [Contact Us](#) | [Home](#)